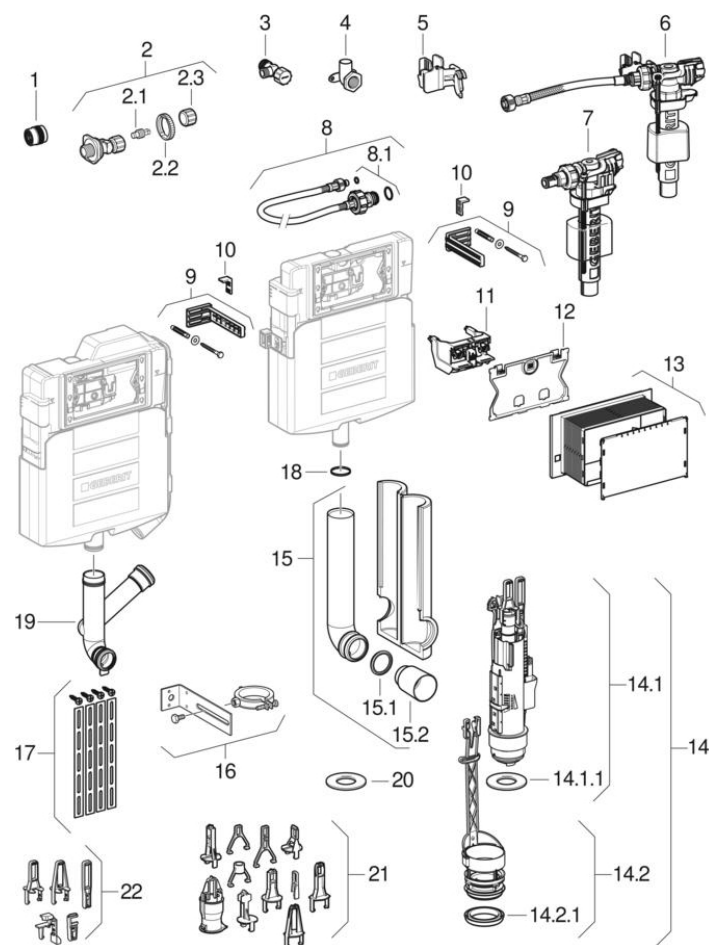


Sigma concealed cisterns 12 cm (UP320)

2008 -



Type Samba, Sigma 12 cm, UP320

Characteristics

Year of manufacture from	2008
Dimensions / Design	Service opening: 22 x 14 cm, cistern: 39.5 x 42.5 cm
Range	UP320 / Sigma 12 cm

Valid for articles

109.309.00.5 109.392.00.5 260.326.00.5

Related spare parts

- WC flush controls with pneumatic flush actuation, single flush, exposed actuator
- Flush plates Sigma, Samba, Bolero, Twist, for dual flush
- Overview flush plates and cover plates for Sigma concealed cisterns
- WC flush controls with pneumatic flush actuation, dual flush, concealed actuator
- WC flush controls with pneumatic flush actuation, dual flush, surface-mounted actuator
- WC flush controls with pneumatic flush actuation, single flush, concealed actuator
- Flush plates Sigma, Rumba, Mambo, Tango, for stop-and-go flush
- WC flush controls with pneumatic flush actuation, single flush, with locked nuts, concealed actuator, for furniture
- Cover plates Sigma
- WC flush controls with pneumatic flush actuation, single flush, with locked nuts, for institutions
- Flush plates Sigma40, for dual flush, with integrated odour extraction unit

Brand Geberit, Sanbloc

#	Art. no.	Description	Replacement for	Remarks
1	632.001.00.1	Geberit MeplaFix adaptor: CW617N, d=MF20mm, RpMF=1/2"		
2	240.269.00.1	Geberit water supply connection with integrated angle stop valve	240.177.00.1	
2	240.847.00.1	Geberit water supply connection with integrated angle stop valve, resistant to seawater		
2.1	240.298.00.1	Geberit spindle for angle stop valve		For use with hand wheel
2.2	241.857.00.1	Geberit counternut		
2.3	240.347.00.1	Geberit hand wheel for angle stop valve		
3	240.853.00.1	Geberit angle stop valve		
4	240.851.00.1	Geberit elbow tap connector		
5	240.923.00.1	Geberit mounting clip for fill valve type 380 and Sigma concealed cistern 12 cm (UP300)		
6	243.408.00.1	Geberit fill valve type 380, lateral water supply connection, 3/8"		
7	244.595.00.1	Geberit fill valve type 380AG, lateral water supply connection, 3/8", nipple made of brass	242.984.00.1, 242.985.00.1	
7	SPT_461085	Fill valves type 380, lateral water supply connection		
8	240.921.00.1	Geberit reinforced braided hose for concealed cistern: DN=8, L=33.3cm, G=3/8"		

#	Art. no.	Description	Replacement for	Remarks
8	241.854.00.1	Geberit reinforced braided hose, dezincification-resistant, for concealed cistern		
8.1	240.922.00.1	Geberit set of seals for reinforced braided hose		
9	465.027.00.1	Geberit fixing bracket 16 cm		
10	889.711.00.1	Geberit fixing slider		
11	241.829.00.1	Geberit support block for Sigma concealed cistern 12 cm	240.929.00.1	
12	241.824.00.1	Geberit protection plate for Sigma concealed cistern 12 cm		
13	241.826.00.1	Geberit protection box for service opening for Sigma concealed cistern, length 9 cm		
13	243.345.00.1	Geberit protection box for service opening for Sigma concealed cistern, length 5 cm, parallel		
14	244.820.00.1	Geberit flush valve type 212, complete, for Sigma, Delta and UP300 concealed cistern	240.622.00.1, 241.858.00.1	
14.1	244.821.00.1	Geberit flush valve type 212, for Sigma, Delta and UP300 concealed cistern		
14.1.1	244.244.00.1	Geberit flat gasket for flush valve type 212, for concealed cistern: d=52mm, di=23mm		
14.2	244.823.00.1	Geberit basket for flush valve type 212, with throttle, for Sigma, Delta, Alpha, Omega and UP300 concealed cisterns		
14.2.1	241.868.00.1	Geberit section seal for basket		
15	119.652.16.1	Geberit flush bend 90° set with insulation: d=56mm		
15.1	362.771.00.1	Geberit lip seal for flush pipe: d=45mm		
15.2	362.796.92.1	Geberit protection plug: d=44.6mm		
16	241.378.00.1	Geberit flush pipe fastening		
17	241.017.00.1	Geberit slotted flat iron with screws		
18	892.975.00.1	Geberit O-ring for outlet connection piece		
19	243.967.00.1	Geberit flush bend with branch fitting for odour extraction		
20	816.418.00.1	Geberit flat gasket for flush valve for exposed and concealed cistern: d=63mm, di=32mm		Not compatible with flush valve type 212
21	241.167.00.1	Geberit flush valve bracket for flush valves		
22	244.844.00.1			