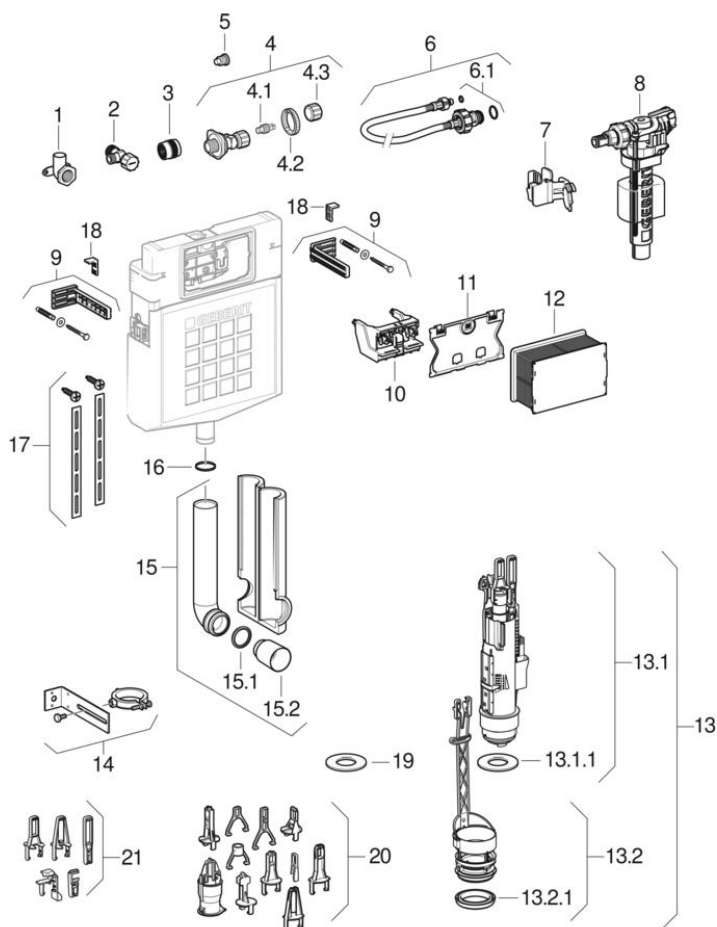


Sigma concealed cisterns 12 cm (UP300)

2000 - 2017



Valid for articles

111.368.00.1	109.309.00.1	111.315.00.1	111.325.00.1
111.333.00.1	111.352.00.1	111.367.00.1	111.383.00.1
111.384.00.1	111.386.00.1	111.390.00.1	461.311.00.1

Related spare parts

- WC flush controls with pneumatic flush actuation, single flush, exposed actuator
- WC flush controls with electronic flush actuation, mains operation, single flush, flush plate Mambo, touchless
- WC flush controls with pneumatic flush actuation, single flush, concealed actuator
- WC flush controls with electronic flush actuation, battery operation, single flush, flush plate Mambo, for pull-down rail
- WC flush controls with electronic flush actuation, mains operation, single flush, flush plate Mambo, for pull-down rail, RF-controlled button
- Flush plates Sigma, Rumba, Mambo, Tango, for stop-and-go flush
- HyTronic WC flush controls, pull-down rail, manual, mains operation, Alfa
- WC flush controls with electronic flush actuation, mains operation, dual flush, for external push-button
- WC flush controls with electronic flush actuation, mains operation, single flush, flush plate Mambo, for pull-down rail, manual
- Flush plates Sigma, Samba, Bolero, Twist, for dual flush
- Overview flush plates and cover plates for Sigma concealed cisterns
- WC flush controls with pneumatic flush actuation, dual flush, concealed actuator
- WC flush controls with pneumatic flush actuation, dual flush, surface-mounted actuator
- WC flush controls with pneumatic flush actuation, single flush, with locked nuts, concealed actuator, for furniture
- Cover plates Sigma
- WC flush controls with pneumatic flush actuation, single flush, with locked nuts, for institutions

Brand Geberit, Sanbloc

Type Samba, Sigma 12 cm, UP300

Characteristics

Year of manufacture from	2000
Year of manufacture until	2017
Dimensions / Design	Service opening: 22 x 14 cm, cistern: 39.5 x 42.5 cm
Range	UP300

#	Art. no.	Description	Replacement for	Remarks
1	240.851.00.1	Geberit elbow tap connector		
2	240.853.00.1	Geberit angle stop valve		
3	632.001.00.1	Geberit MeplaFix adaptor: CW617N, d=MF20mm, RpMF=1/2"		
4	240.269.00.1	Geberit water supply connection with integrated angle stop valve	240.177.00.1	
4	240.847.00.1	Geberit water supply connection with integrated angle stop valve, resistant to seawater		
4.1	240.298.00.1	Geberit spindle for angle stop valve		For use with hand wheel
4.2	241.857.00.1	Geberit counternut		

#	Art. no.	Description	Replacement for	Remarks
4.3	240.347.00.1	Geberit hand wheel for angle stop valve		
5	240.925.00.1	Geberit spindle for angle stop valve		
6	240.921.00.1	Geberit reinforced braided hose for concealed cistern: DN=8, L=33.3cm, G=3/8"		
6	241.854.00.1	Geberit reinforced braided hose, dezincification-resistant, for concealed cistern		
6.1	240.922.00.1	Geberit set of seals for reinforced braided hose		
7	240.923.00.1	Geberit mounting clip for fill valve type 380 and Sigma concealed cistern 12 cm (UP300)		
8	SPT_461085	Fill valves type 380, lateral water supply connection		
9	465.027.00.1	Geberit fixing bracket 16 cm		
10	241.829.00.1	Geberit support block for Sigma concealed cistern 12 cm	240.929.00.1	
11	241.824.00.1	Geberit protection plate for Sigma concealed cistern 12 cm		
12	240.931.00.1	Geberit protection box for service opening		
13	244.820.00.1	Geberit flush valve type 212, complete, for Sigma, Delta and UP300 concealed cistern	240.622.00.1, 241.858.00.1	
13.1	244.821.00.1	Geberit flush valve type 212, for Sigma, Delta and UP300 concealed cistern		
13.1.1	244.244.00.1	Geberit flat gasket for flush valve type 212, for concealed cistern: d=52mm, di=23mm		
13.2	244.823.00.1	Geberit basket for flush valve type 212, with throttle, for Sigma, Delta, Alpha, Omega and UP300 concealed cisterns		
13.2.1	241.868.00.1	Geberit section seal for basket		
14	241.378.00.1	Geberit flush pipe fastening		
15	119.652.16.1	Geberit flush bend 90° set with insulation: d=56mm		
15.1	362.771.00.1	Geberit lip seal for flush pipe: d=45mm		
15.2	362.796.92.1	Geberit protection plug: d=44.6mm		
16	892.975.00.1	Geberit O-ring for outlet connection piece		
17	241.017.00.1	Geberit slotted flat iron with screws		
18	889.711.00.1	Geberit fixing slider		
19	816.418.00.1	Geberit flat gasket for flush valve for exposed and concealed cistern: d=63mm, di=32mm		Not compatible with flush valve type 212
20	241.167.00.1	Geberit flush valve bracket for flush valves		
21	244.844.00.1			