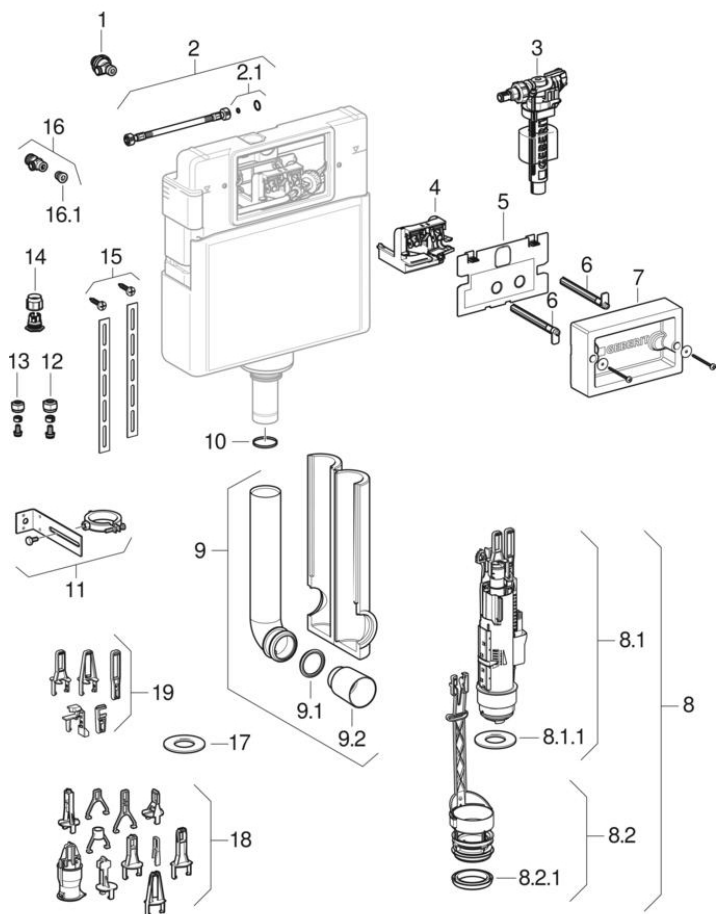


Delta concealed cisterns 12 cm (UP100)

2005 -



Brand Geberit

Type Delta 12 cm, UP100

Characteristics

Year of manufacture from	2005
Dimensions / Design	Service opening: 22 x 14 cm, cistern: 39.5 x 42.5 cm
Range	UP100 / Delta 12 cm

Valid for articles

109.103.21.1 109.104.21.1 109.105.00.1

Related spare parts

- WC flush controls with pneumatic flush actuation, single flush, exposed actuator
- Flush plates Delta, for dual flush and stop-and-go flush
- WC flush controls with pneumatic flush actuation, dual flush, concealed actuator
- WC flush controls with pneumatic flush actuation, dual flush, surface-mounted actuator
- WC flush controls with pneumatic flush actuation, single flush, concealed actuator
- Overview flush plates and cover plates for Delta concealed cisterns
- WC flush controls with pneumatic flush actuation, single flush, with locked nuts, concealed actuator, for furniture
- WC flush controls with pneumatic flush actuation, single flush, with locked nuts, for institutions

#	Art. no.	Description	Replacement for	Remarks
1	241.475.00.1	Geberit angle stop valve		
1	242.414.00.1	Geberit angle stop valve for Sigma concealed cistern 8 cm		For operation with hand wheel
2	241.982.00.1	Geberit reinforced braided hose	241.463.00.1	
2.1	240.922.00.1	Geberit set of seals for reinforced braided hose		
3	244.595.00.1	Geberit fill valve type 380AG, lateral water supply connection, 3/8", nipple made of brass	242.984.00.1, 242.985.00.1	
3	SPT_461085	Fill valves type 380, lateral water supply connection		
4	241.349.00.1	Geberit support block		
5	241.343.00.1	Geberit protection plate for Delta concealed cistern		
6	241.465.00.1	Geberit set of actuator rods for flush plate		
7	241.348.00.1	Geberit protection box for service opening, for Delta concealed cistern		
8	244.820.00.1	Geberit flush valve type 212, complete, for Sigma, Delta and UP300 concealed cistern	240.622.00.1, 241.858.00.1	
8.1	244.821.00.1	Geberit flush valve type 212, for Sigma, Delta and UP300 concealed cistern		
8.1.1	244.244.00.1	Geberit flat gasket for flush valve type 212, for concealed cistern: d=52mm, di=23mm		
8.2	244.823.00.1	Geberit basket for flush valve type 212, with throttle, for Sigma, Delta, Alpha, Omega and UP300 concealed cisterns		

#	Art. no.	Description	Replacement for	Remarks
8.2.1	241.868.00.1	Geberit section seal for basket		
9	119.652.16.1	Geberit flush bend 90° set with insulation: d=56mm		
9.1	362.771.00.1	Geberit lip seal for flush pipe: d=45mm		
9.2	362.796.92.1	Geberit protection plug: d=44.6mm		
10	892.975.00.1	Geberit O-ring for outlet connection piece		
11	241.378.00.1	Geberit flush pipe fastening		
12	241.697.00.1	Geberit screw connection set		
12	241.698.00.1	Geberit screw connection set		
14	241.696.00.1	Geberit protective tube adaptor		
15	241.017.00.1	Geberit slotted flat iron with screws		
16.1	240.925.00.1	Geberit spindle for angle stop valve		
17	816.418.00.1	Geberit flat gasket for flush valve for exposed and concealed cistern: d=63mm, di=32mm		Not compatible with flush valve type 212
18	241.167.00.1	Geberit flush valve bracket for flush valves		
19	244.844.00.1	Geberit set handle for flush valve type 212		